

LB-2.2-25-A Standard Gain Horn Antenna 325-500GHz 25dB Gain Rectangular Waveguide Interface



Standard Gain Horn Antenna Operating From 325GHz to 500GHz With a Nominal 25dB Gain With Rectangular Waveguide Interface

Product Information

SKU	LB-2.2-25-A	Patents	ZL202020182916.4 (China) ZL202030088153.2 (China)
-----	-------------	---------	--

Description

Standard Gain Horn Antenna LB-2.2-25-A, operating from 325 to 500GHz with a nominal 25dB gain and low VSWR 1.15:1 with APF2.2 output. The model LB-2.2-25-A has uniform gain through its frequency span, providing efficient performance characteristics and directionality. Constructed of lightweight corrosion-resistant aluminum, the antenna will provide years of trouble-free indoor and outdoor service. This standard gain horn antenna is linearly polarized and ideally suited for EMI testing, direction finding, surveillance, antenna gain and pattern measurements and other applications.

Technical Specification

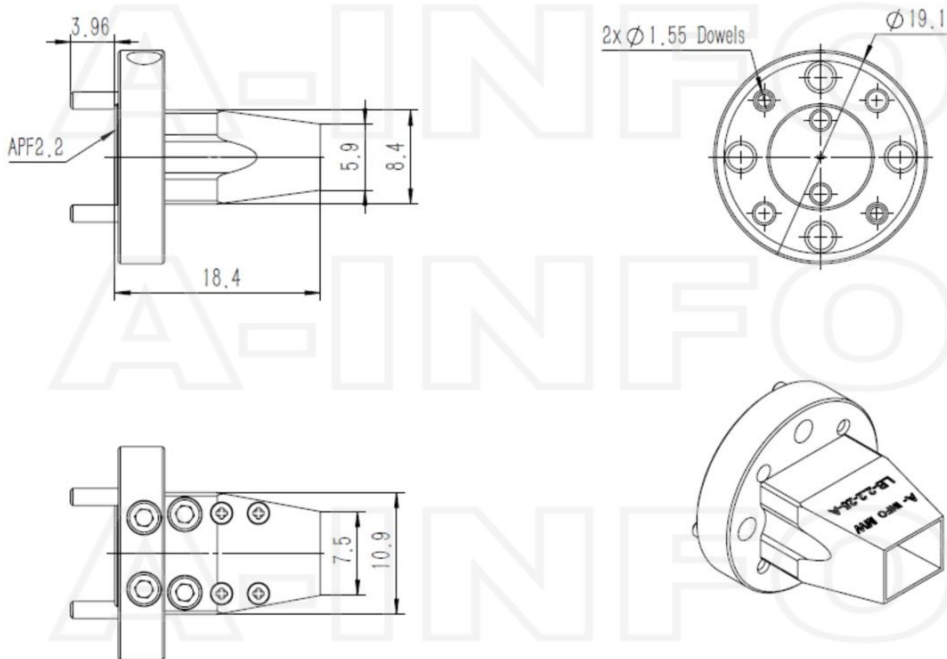
Electrical Specification		Interface	
Frequency, Min (GHz)	325	Output Type	Waveguide
Frequency, Max (GHz)	500	Flange Style	Round
Waveguide Type	Rectangular	Flange Type	Cover
Waveguide Size EIA WR	WR2.2	Flange Designation	APF2.2
Gain, Typ (dBi)	25	Mechanical Specification	
Polarization	Linear	Figure	A Type
3dB Beamwidth, E-Plane, Typ (Deg.)	8	Body Material	Cu
3dB Beamwidth, H-Plane, Typ (Deg.)	8	Finish	Gold Plated
Cross Pol. Isolation, Typ (dB)	35	Size, W (mm)	19.1
VSWR, Typ	1.15:1	Size, H (mm)	19.1
		Size, L (mm)	18.4
		Weight, (kg)	0.02

Additional Information

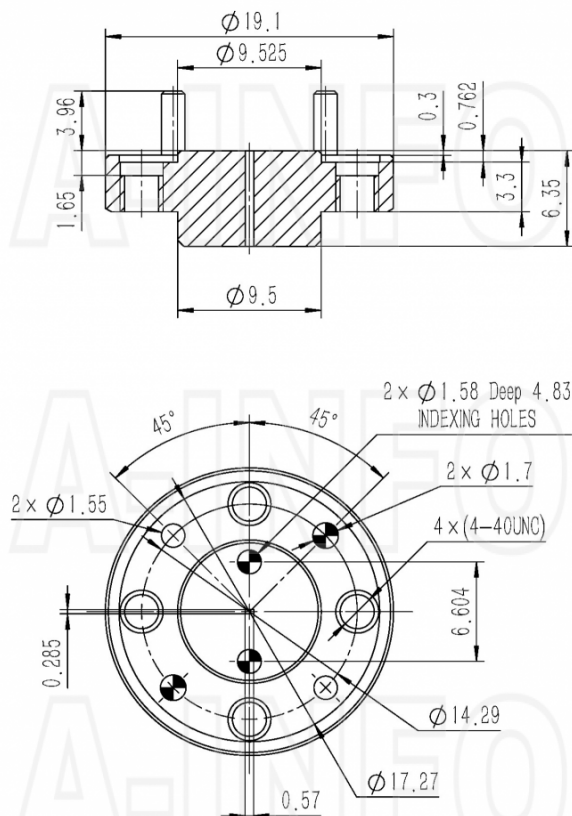
Application	General Purpose Indoor & Outdoor, Fixed	Solution for	Gain Reference Antenna Measurement Reflector Feed Far-field Measurement System Intergration Material Measurement
-------------	---	--------------	---

Outline Drawing

APF2.2 Output (P/N: LB-2.2-25-A)



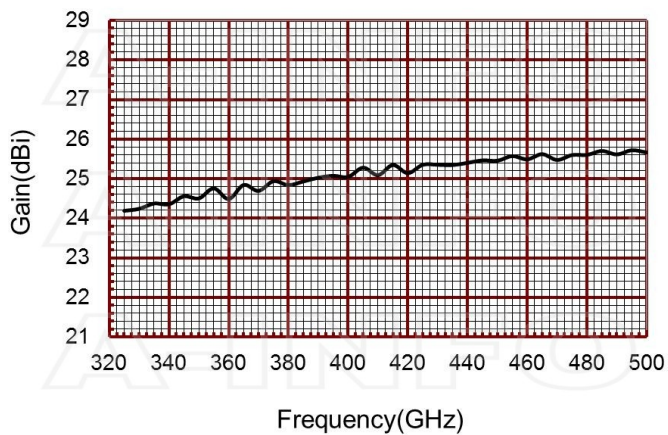
Flange Drawing



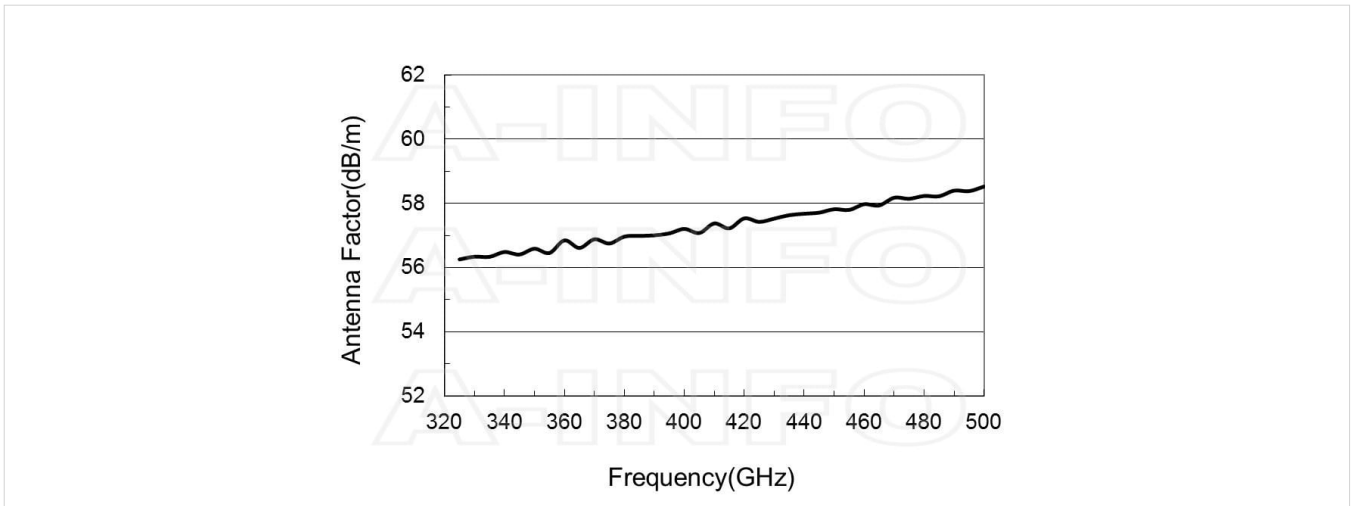
APF2. 2

Typical Test Results

Gain



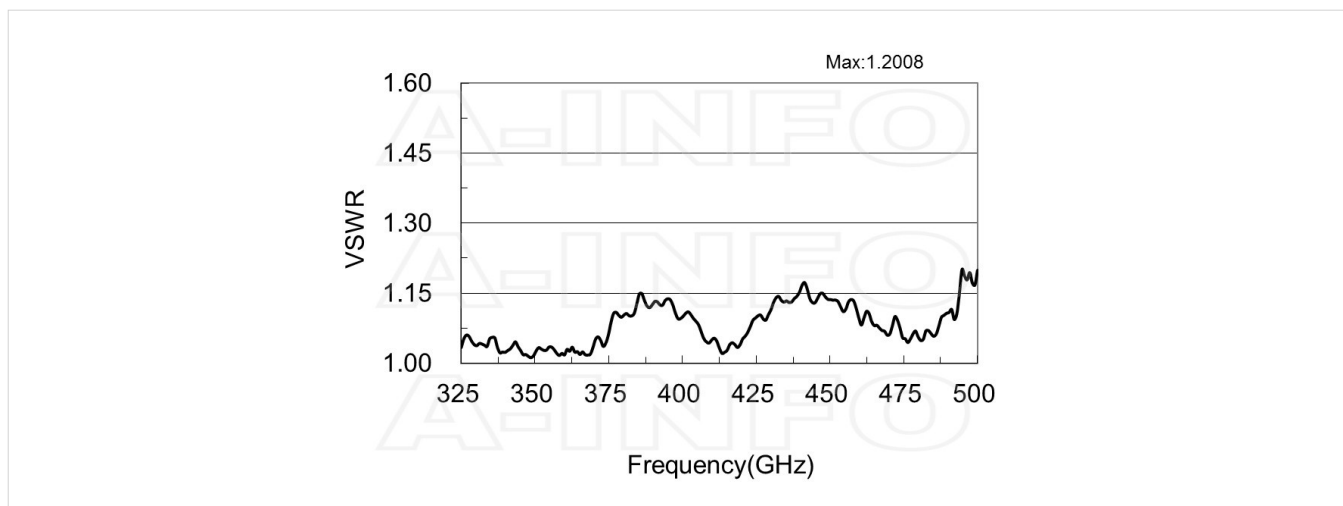
Antenna Factor



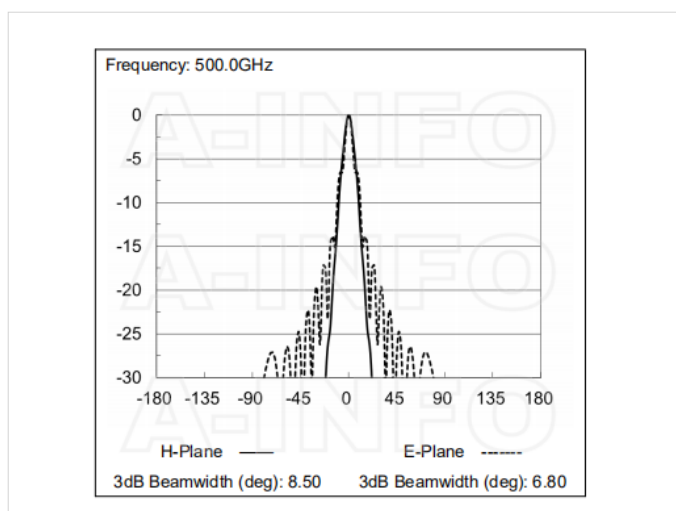
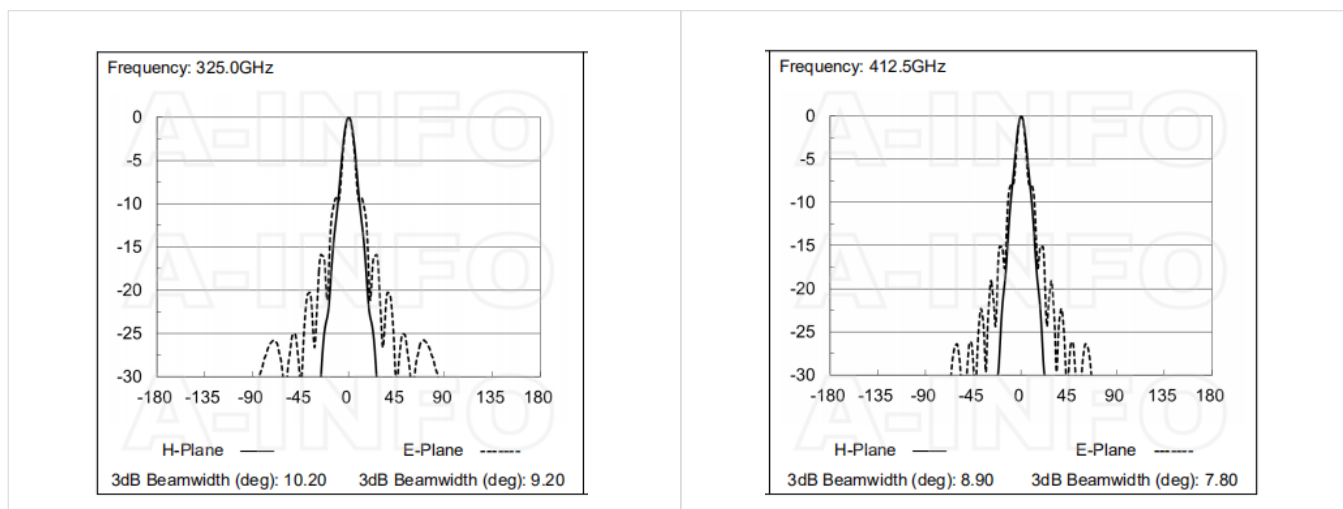
Antenna Factor (Table)

Frequency (GHz)	Gain (dBi)	Antenna Factor (dB/m)	Frequency (GHz)	Gain (dBi)	Antenna Factor (dB/m)
325	24.19	56.26	425	25.35	57.43
330	24.24	56.34	430	25.35	57.53
335	24.37	56.34	435	25.35	57.63
340	24.35	56.49	440	25.40	57.68
345	24.56	56.41	445	25.46	57.71
350	24.50	56.59	450	25.46	57.82
355	24.76	56.46	455	25.57	57.80
360	24.49	56.85	460	25.49	57.97
365	24.84	56.61	465	25.62	57.94
370	24.69	56.88	470	25.47	58.18
375	24.94	56.75	475	25.60	58.15
380	24.84	56.97	480	25.60	58.23
385	24.93	56.99	485	25.70	58.22
390	25.03	57.01	490	25.61	58.40
395	25.07	57.07	495	25.72	58.38
400	25.04	57.21	496	25.73	58.39
405	25.28	57.08	497	25.70	58.43
410	25.09	57.38	498	25.68	58.48
412.5	25.19	57.32	499	25.66	58.51
415	25.35	57.22	500	25.66	58.53
420	25.14	57.53			

VSWR



Pattern



Related Products



HSCS_4-40UNC_Pack Assembly Pack

Similar Products



LB-2.8-25-A Standard Gain Horn Antenna 260-400GHz 25dB Gain Rectangular Waveguide Interface



LB-3-15-A Standard Gain Horn Antenna 220-325GHz 15dB Gain Rectangular Waveguide Interface



LB-3-20-A Standard Gain Horn Antenna 220-325GHz 20dB Gain Rectangular Waveguide Interface



LB-3-25-A Standard Gain Horn Antenna 220-325GHz 25dB Gain Rectangular Waveguide Interface

About this Datasheet

<ul style="list-style-type: none"> ● Product Information Product Link: https://www.ainfoinc.com/lb-2-2-25-a-standard-gain-horn-antenna-325-500-ghz-25db-gain-apf2-2 Data subject to change without notice. © A-INFO INC. 2023. All Rights Reserved 	<ul style="list-style-type: none"> ● Contact Us Address: 60 Tesla, Irvine, CA 92618, USA Website: www.ainfoinc.com Email: sales@ainfoinc.com 	<ul style="list-style-type: none"> ● Phone & Fax Phone: +1-949-639-9688 +1-949-639-9608 Fax: +1-949-639-9670
---	--	---